



More Fittings. Higher Quality. Superior Service.

ISO 9001:2015

Home > Fittings & Adapters > Stainless Adapters > Oring Boss SAE/ORB >



37° JIC MALE TO SAE O-RING BOSS ORB MALE ADAPTER LONG (STAINLESS)

Material: 316 Stainless Steel
Standards: ASME B1.20.1, SAE AS71051
Comparable: AEROQUIP 202713, PARKER FF50X-SS, SSP J-LGC, SAE 70122

« View Larger Photo

Alternative Views:



PRESSURE RATINGS



DIMENSIONAL DRAWINGS




CROSS REFERENCE

JIC/AN Male to SAE O-Ring Boss ORB Male Adapter Long

Print Page

Item#	Item Name	Our Price	Qty	Add
SS-6400LL-04-04	SS-6400LL-04-04 1/4" 37° JIC (7/16"-20 thread) x 1/4" ORB (1-5/8"-12 thread) Male - Stainless Steel	\$64.90		
SS-6400LL-06-06	SS-6400LL-06-06 3/8" 37° JIC (9/16"-18 thread) x 3/8" ORB (9/16"-18 thread) Male - Stainless Steel	\$34.57		
SS-6400LL-08-08	SS-6400LL-08-08 1/2" 37° JIC (3/4"-16 thread) x 1/2" ORB (3/4"-16 thread) Male - Stainless Steel	\$54.97		
SS-6400LL-10-10	SS-6400LL-10-10 5/8" 37° JIC x 5/8" ORB (7/8"-14 thread) Male - Stainless Steel	\$75.00		

SS-6400LL-12-12	SS-6400LL-12-12 3/4" 37° JIC (1 1/16"-12 thread) x 3/4" ORB (1 1/16"-12 thread) Male - Stainless Steel	\$82.98		
SS-6400LL-16-16	SS-6400LL-16-16 1" 37° JIC (1 5/16"-12 thread) x 1" ORB (1 5/16"-12 thread) Male - Stainless Steel	\$115.67		

Check the items you wish to purchase, then click 

Features:

37° JIC Male to SAE O-Ring Boss ORB Male Adapter Long (Stainless)

Material: 316 Stainless Steel

Standards: ASME B1.20.1, SAE AS71051

Intercomparable: AEROQUIP 202713, PARKER FF50X-SS, SSP J-LGC, SAE 70122

Product Details:

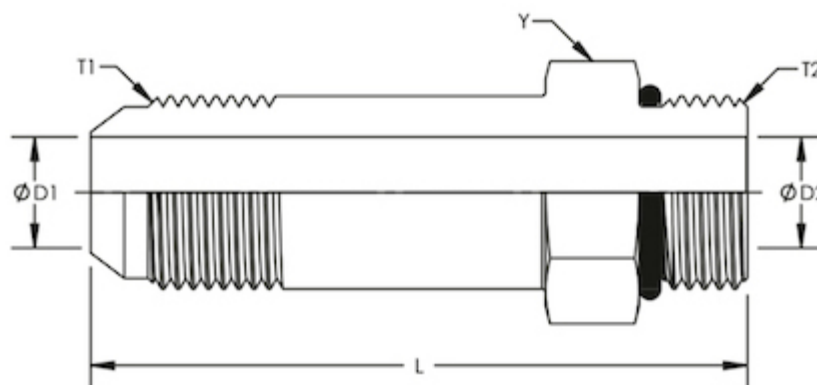
Pressure Ratings:

SAE J514 Pressure Ratings					
Nom. Size	Nom. Tube O.D. Inches	37 Degree Flare Straight Thread	Nom. Pipe Size	SAE St. Threads Union & Bulthead (PSI)	Fittings With Pipe Threads (PSI)
2	1/8	5/16"-24	1/8"	5000	5000
3	3/16	3/8"-24	1/8"	5000	5000
4	1/4	7/16"-20	1/8"	5000	5000
5	5/16	1/2"-20	1/8"	5000	5000
6	3/8	9/16"-18	1/4"	5000	5000
8	1/2	3/4"-16	3/8"	4500	4000
10	5/8	7/8"-14	1/2"	3500	3000
12	3/4	1 1/16"-12	3/4"	3500	3000
14	7/8	1 3/16"-12	3/4"	3000	2500
16	1	1 5/16"-12	1"	3000	2000

20	1 1/4	1 5/8"-12	1 1/4"	2500	1150
24	1 1/2	1 7/8"-12	1 1/2"	2000	1000
32	2	2 1/2"-12	2"	1500	1000

NOTE: Since many factors influence the pressure at which a system will or will not perform satisfactory, values shown in this table should not be construed as guaranteed minimum.

Dimensional Drawings:



Part Number	TUBE OD	B (1) UN/UNF-2A	B (2) UN/UNF-2A	L6	C4	D (1)	D (2)
6400-L-4-4-0	1/4	7/16-20	7/16-20	2.08	0.56	0.17	0.17
6400-L-5-5-0	5/16	1/2-20	1/2-20	2.14	0.63	0.23	0.23
6400-L-6-6-0	3/8	9/16-18	9/16-18	2.31	0.69	0.3	0.3
6400-L-6-8-0	3/8	9/16-18	3/4-16	2.38	0.88	0.3	0.39
6400-L-6-10-0	3/8	9/16-18	7/8-14	2.51	1	0.3	0.48
6400-L-8-8-0	1/2	3/4-16	3/4-16	2.7	0.88	0.39	0.39
6400-L-8-10-0	1/2	3/4-16	7/8-14	2.83	1	0.39	0.48
6400-L-10-8-0	5/8	7/8-14	3/4-16	2.98	0.94	0.48	0.39
6400-L-10-10-0	5/8	7/8-14	7/8-14	3.04	1	0.48	0.48
6400-L-10-16-0	5/8	7/8-14	1 5/16-12	3.23	1.5	0.48	0.84
6400-L-12-10-0	3/4	1 1/16-12	7/8-14	3.52	1.13	0.61	0.48
6400-L-12-12-0	3/4	1 1/16-12	1 1/16-12	3.61	1.25	0.61	0.61
6400-L-12-16-0	3/4	1 1/16-12	1 5/16-12	3.64	1.5	0.61	0.84

6400-L-14-14-0	7/8	1 3/16-12	1 3/16-12	3.8	1.38	0.72	0.72
6400-L-16-16-0	1	1 5/16-12	1 5/16-12	3.98	1.5	0.84	0.84
6400-L-16-20-0	1	1 5/16-12	1 5/8-12	4.06	1.88	0.84	1.08
6400-L-20-16-0	1 1/4	1 5/8-12	1 5/16-12	4.85	1.69	1.08	0.84
6400-L-20-20-0	1 1/4	1 5/8-12	1 5/8-12	4.69	1.88	1.08	1.08
6400-L-24-24-0	1 1/2	1 7/8-12	1 7/8-12	5.17	2.13	1.31	1.31
6400-L-32-32-0	2	2 1/2-12	2 1/2-12	6.29	2.75	1.78	1.78

Competitor Cross Reference:

Aeroquip #	Parker #
202713-4-4S	4 FF50X-S
202713-5-5S	5 FF50X-S
202713-6-6S	6 FF50X-S
202713-8-6S	6-8 FF50X-S
202713-10-6S	6-10 FF50X-S
202713-8-8S	8 FF50X-S
202713-10-8S	8-10 FF50X-S
202713-8-10S	10-8 FF50X-S
202713-10-10S	10 FF50X-S
202713-16-10S	10-16 FF50X-S
202713-10-12S	12-10 FF50X-S
202713-12-12S	12 FF50X-S
202713-16-12S	12-16 FF50X-S
202713-14-14S	14 FF50X-S
202713-16-16S	16 FF50X-S
202713-20-16S	16-20 FF50X-S
202713-16-20S	20-16 FF50X-S
202713-20-20S	20 FF50X-S
202713-24-24S	24 FF50X-S
202713-32-32S	32 FF50X-S



Newsletter Signup for our newsletter and get the latest news.

Information

[About Us](#)

[Contact](#)

[Careers](#)

[ISO 9001](#)

[US Thread Chart](#)

[International](#)

[Thread Chart](#)

Products

[Product Index](#)

[Category Index](#)

[All Products](#)

[Product Catalogs](#)

Privacy and Security

[Return Policy](#)

[Terms and](#)

[Conditions](#)

[Help](#)

Connect



Titan Fittings is a registered member of the National Association For Hose and Accessories Distribution. |



© 2018 Titan Fittings. All rights reserved. | [Privacy Policy](#)

