


**More Fittings. Higher Quality. Superior Service.**

ISO 9001:2015

[Home](#) > [Fittings & Adapters](#) > [Stainless Adapters](#) > [Oring Boss SAE/ORB](#) >**SAE O-RING BOSS ORB TO HEAD PLUG (STAINLESS)****Material:** 316 Stainless Steel**Standards:** ASME B1.20.1, SAE AS71051**Comparable:** AEROQUIP 900598, PARKER P50N-SS, SSP GP, SAE 090109A[« View Larger Photo](#)**SAE O-Ring Boss ORB to Head Plug**

Item#	Item Name	Our Price	Qty	Add
SS-6408-02	SS-6408-02 1/8" ORB (5/16"-24 thread) Male Hex Head Plug - Stainless Steel	\$4.33		
SS-6408-03	SS-6408-03 3/16" ORB (3/8"-24 thread) Male Hex Head Plug - Stainless Steel	\$5.49		
SS-6408-04	SS-6408-04 1/4" ORB (7/16"-20 thread) Male Hex Head Plug - Stainless Steel	\$5.67		
SS-6408-05	SS-6408-05 5/16" ORB (1/2"-20 thread) Male Hex Head Plug - Stainless Steel	\$10.64		
SS-6408-06	SS-6408-06 3/8" ORB (9/16"-18 thread) Male Hex Head Plug - Stainless Steel	\$9.62		
SS-6408-08	SS-6408-08 1/2" ORB (3/4"-16 thread) Male Hex Head Plug - Stainless Steel	\$10.48		

SS-6408-10	SS-6408-10 5/8" ORB (7/8"-14 thread) Male Hex Head Plug - Stainless Steel	\$22.82		
SS-6408-12	SS-6408-12 3/4" ORB (1 1/16"-12 thread) Male Hex Head Plug - Stainless Steel	\$24.07		
SS-6408-16	SS-6408-16 1" ORB (1 5/16"-12 thread) Male Hex Head Plug - Stainless Steel	\$33.70		
SS-6408-20	SS-6408-20 1 1/4" ORB (1-5/8"-12 thread) Male Hex Head Plug - Stainless Steel	\$77.18		
SS-6408-24	SS-6408-24 1 1/2" ORB (1-7/8"-12 thread) Male Hex Head Plug - Stainless Steel	\$101.11		
SS-6408-32	SS-6408-32 2" ORB (2 1/2"-12 thread) Male Hex Head Plug - Stainless Steel	\$99.86		

Check the items you wish to purchase, then click  **ADD TO CART**

Features:

SAE O-Ring Boss ORB to Head Plug (Stainless)

Material: 316 Stainless Steel

Standards: ASME B1.20.1, SAE AS71051

Intercomparable: AEROQUIP 900598, PARKER P50N-SS, SSP GP, SAE 090109A

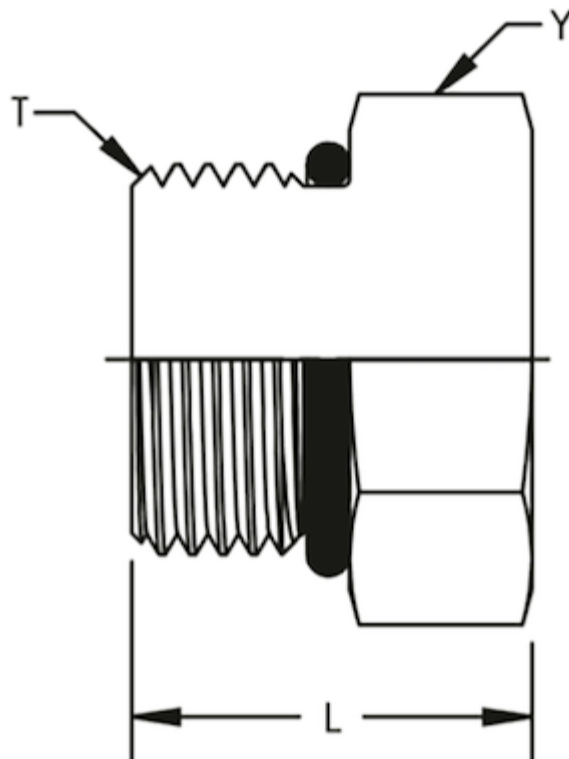
Product Details:**Pressure Ratings:**

SAE J514 Pressure Ratings					
h Size	Nom. SAE Das Inches	Nom. Tube O.D. 37 Degree Flare Straight Thread	Nom. Pipe SAE St. Threads Union & Bul Fittings With Pipe Threads	head (PSI)	ads (PSI)
2	1/8	5/16"-24	1/8"	7500	5000
3	3/16	3/8"-24	1/8"	7500	5000
4	1/4	7/16"-20	1/8"	7500	5000
5	5/16	1/2"-20	1/8"	6000	5000

6	3/8	9/16"-18	1/4"	6000	5000
8	1/2	3/4"-16	3/8"	6000	4000
10	5/8	7/8"-14	1/2"	6000	3000
12	3/4	1 1/16"-12	3/4"	6000	3000
14	7/8	1 3/16"-12	3/4"	5500	2500
16	1	1 5/16"-12	1"	5500	2000
20	1 1/4	1 5/8"-12	1 1/4"	4000	1150
24	1 1/2	1 7/8"-12	1 1/2"	3000	1000
32	2	2 1/2"-12	2"	2000	1000

NOTE: Since many factors influence the pressure at which a system will or will not perform satisfactory, values shown in this table should not be construed as guaranteed minimum.

Dimensional Drawings:



ITEM #	MB-1	THREAD-1	A
SS-6408-02	1/8	5/16-24	0.6
SS-6408-04	1/4	7/16-20	0.446
SS-6408-05	5/16	1/2-20	0.667
SS-6408-06	3/8	9/16-18	0.727
SS-6408-08	1/2	3/4-16	0.797
SS-6408-10	5/8	7/8-14	0.809
SS-6408-12	1/2	9/16-18	1.09
SS-6408-16	1	1 5/16-12	1.116
SS-6408-20	1 1/4	1 5/8-12	1.2
SS-6408-24	1 1/2	1 7/8-12	1.126
SS-6408-32	2	2 1/2-12	1.43

Competitor Cross Reference:

INTERCHANGEABLE WITH:				
ITEM #	AEROQUIP	PARKER	SSP	SAE
6408-02	259-900598-2	2 P50N-SS	2GP	090109A
6408-03	259-900598-3	3 P50N-SS	3GP	090109A
6408-04	259-900598-4	4 P50N-SS	4GP	090109A
6408-05	259-900598-5	5 P50N-SS	5GP	090109A
6408-06	259-900598-6	6 P50N-SS	6GP	090109A
6408-08	259-900598-8	8 P50N-SS	8GP	090109A
6408-10	259-900598-10	10 P50N-SS	10GP	090109A
6408-12	259-900598-12	12 P50N-SS	12GP	090109A
6408-14	259-900598-14	14 P50N-SS	14GP	090109A
6408-16	259-900598-16	16 P50N-SS	16GP	090109A
6408-20	259-900598-20	20 P50N-SS	20GP	090109A
6408-24	259-900598-24	24 P50N-SS	24GP	090109A
6408-32	259-900598-32	32 P50N-SS	32GP	090109A



Newsletter Signup for our newsletter and get the latest news.

Information

[About Us](#)

[Contact](#)

[Careers](#)

[ISO 9001](#)

[US Thread Chart](#)

[International](#)

[Thread Chart](#)

Products

[Product Index](#)

[Category Index](#)

[All Products](#)

[Product Catalogs](#)

Privacy and Security

[Return Policy](#)

[Terms and](#)

[Conditions](#)

[Help](#)

Connect



Titan Fittings is a registered member of the National Association For Hose and Accessories Distribution. |



© 2018 Titan Fittings. All rights reserved. | [Privacy Policy](#)

VISA

DISCOVER

AMERICAN EXPRESS

MasterCard

PayPal