



More Fittings. Higher Quality. Superior Service.

ISO 9001:2015

Home > Fittings & Adapters > Stainless Adapters > Oring Face Seal (ORFS) >



SAE O-Ring Face Seal ORFS Male ORFS x Male ORFS 90 Bulkhead Elbow

SS-FS6602 are equivalent to the following:

- * SAE 520432
* Parker R6LO
* Weatherhead 4706
* Aeroquip FF2114T



DIMENSIONAL DRAWINGS

(1) ORFS 90 Bulkhead Elbow

View Larger Photo

Alternative Views:



Print Page

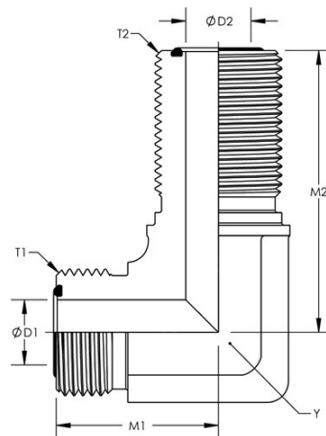
STAINLESS STEEL O-RING FACE SEAL ORFS MALE ORFS X MALE ORFS 90 BULKHEAD ELBOW

Features:

Material: High Pressure Stainless Steel with Anti-Corrosion Coating SAE J5143 O-ring face seal ORFS fittings have straight thread and require an o-ring on the male face for a leak-proof connection.

Product Details:

Dimensional Drawings:



TITAN	Y Hex	T1	M1	D1	T2	M2	D2
4525X04X04	0.563	9/16-18	0.886	0.177	9/16-18	1.850	0.177
4525X06X06	0.669	11/16-16	1.023	0.256	11/16-16	2.047	0.256
4525X08X08	0.750	13/16-16	1.142	0.374	13/16-16	2.185	0.374
4525X10X10	1.063	1-14	1.358	0.492	1-14	2.480	0.492
4525X12X12	1.188	1-3/16-12	1.516	0.610	1-3/16-12	2.638	0.610
4525X16X16	1.438	1-7/16-12	1.673	0.807	1-7/16-12	2.795	0.807
4525X20X20	1.625	1-11/16-12	1.791	1.024	1-11/16-12	2.972	1.024
4525X24X24	1.875	2-12	1.949	1.260	2-12	3.130	1.260



Newsletter Signup for our newsletter and get the latest news.

Information

- About Us
- Contact
- Careers
- ISO 9001

Products

- Product Index
- Category Index
- Industries Served
- Product Catalogs

Privacy and Security

- Shipping & Returns
- Terms & Conditions

Connect



[US Thread Chart](#)

[Warranty](#)

[International](#)

[Help](#)

[Thread Chart](#)

Titan Fittings is a registered member of the National Association For Hose and Accessories Distribution. |



© 2018 Titan Fittings. All rights reserved. | [Privacy Policy](#)

