



More Fittings. Higher Quality. Superior Service.

ISO 9001:2015

Home > Fittings & Adapters > Stainless Adapters > Oring Face Seal (ORFS) >



SAE O-Ring Face Seal ORFS Swivel Nut Branch Tee

SS-FS6600 are equivalent to the following:

- * SAE 520433
- * Parker S6LO
- * Weatherhead 4707
- * Aeroquip FF1875T

(1,2) ORFS Male (3) ORFS Female Swivel

[View Larger Photo](#)

Alternative Views:



DIMENSIONAL DRAWINGS

[Print Page](#)

STAINLESS STEEL SAE O-RING FACE SEAL ORFS SWIVEL NUT BRANCH TEE

Item#	Item Name	Our Price	Qty	Add
SS-FS6600-04-04-04	SS-FS6600-04-04-04 - Stainless Steel Branch Tee, 1/4" ORFS Male x 1/4" ORFS Male x 1/4" ORFS Female Swivel	\$52.74		
SS-FS6600-06-06-06	SS-FS6600-06-06-06 - Stainless Steel Branch Tee, 3/8" ORFS Male x 3/8" ORFS Male x 3/8" ORFS Female Swivel	\$53.93		
SS-FS6600-08-08-08	SS-FS6600-08-08-08 - Stainless Steel Branch Tee, 1/2" ORFS Male x 1/2" ORFS Male			

-08-08	x 1/2" ORFS Female Swivel	\$59.21		
SS-FS6600-10-10-10	SS-FS6600-10-10-10 - Stainless Steel Branch Tee, 5/8" ORFS Male x 5/8" ORFS Male x 5/8" ORFS Female Swivel	\$85.10		
SS-FS6600-12-12-12	SS-FS6600-12-12-12 - Stainless Steel Branch Tee, 3/4" ORFS Male x 3/4" ORFS Male x 3/4" ORFS Female Swivel	\$102.44		
SS-FS6600-16-16-16	SS-FS6600-16-16-16 - Stainless Steel Branch Tee, 1" ORFS Male x 1" ORFS Male x 1" ORFS Female Swivel	\$138.34		
SS-FS6600-20-20-20	SS-FS6600-20-20-20 - Stainless Steel Branch Tee, 1-1/4" ORFS Male x 1-1/4" ORFS Male x 1-1/4" ORFS Female Swivel	\$149.21		
SS-FS6600-24-24-24	SS-FS6600-24-24-24 - Stainless Steel Branch Tee, 1-1/2" ORFS Male x 1-1/2" ORFS Male x 1-1/2" ORFS Female Swivel	\$177.02		

Check the items you wish to purchase, then click

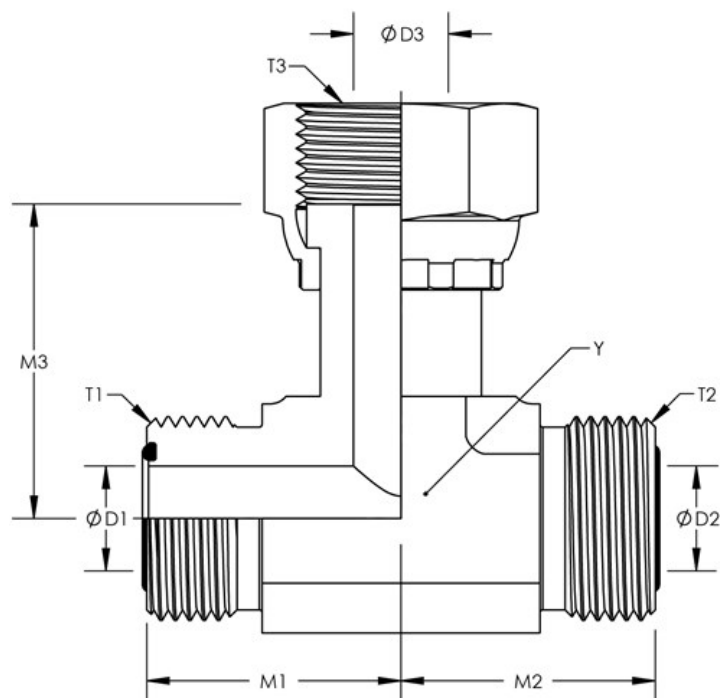


Features:

Material: High Pressure Stainless Steel with Anti-Corrosion Coating SAE J5143 O-ring face seal ORFS fittings have straight thread and require an o-ring on the male face for a leak-proof connection.

Product Details:

Dimensional Drawings:



TITAN	Y Hex	T1	M1	D1	T2	M2	D2	T3	M3	D3
SS-FS6600-04-04-04	0.563	9/16-18	0.846	0.177	9/16-18	0.846	0.177	9/18-18	1.043	0.157
SS-FS6600-06-06-06	0.669	11/16-16	0.984	0.256	11/16-16	0.984	0.256	11/16-16	1.142	0.256
SS-FS6600-08-08-08	0.750	13/16-16	1.102	0.374	13/16-16	1.102	0.374	13/16-16	1.496	0.354
SS-FS6600-10-10-10	1.063	1-14	1.319	0.492	1-14	1.319	0.492	1-14	1.614	0.453
SS-FS6600-12-12-12	1.188	1-3/16-12	1.476	0.610	1-3/16-12	1.476	0.610	1-3/16-12	1.831	0.551
SS-FS6600-16-16-16	1.438	1-7/16-12	1.634	0.807	1-7/16-12	1.634	0.807	1-7/16-12	2.106	0.787
SS-FS6600-24-24-24	1.875	2-12	1.929	1.260	2-12	1.929	1.260	2-12	2.401	1.260



Newsletter Signup for our newsletter and get the latest news.

Information

- About Us
- Contact
- Careers
- ISO 9001

Products

- Product Index
- Category Index
- Industries Served
- Product Catalogs

Privacy and Security

- Shipping & Returns
- Terms & Conditions

Connect



[US Thread Chart](#)

[Warranty](#)

[International](#)

[Help](#)

[Thread Chart](#)

Titan Fittings is a registered member of the National Association For Hose and Accessories Distribution. |



© 2018 Titan Fittings. All rights reserved. | [Privacy Policy](#)

